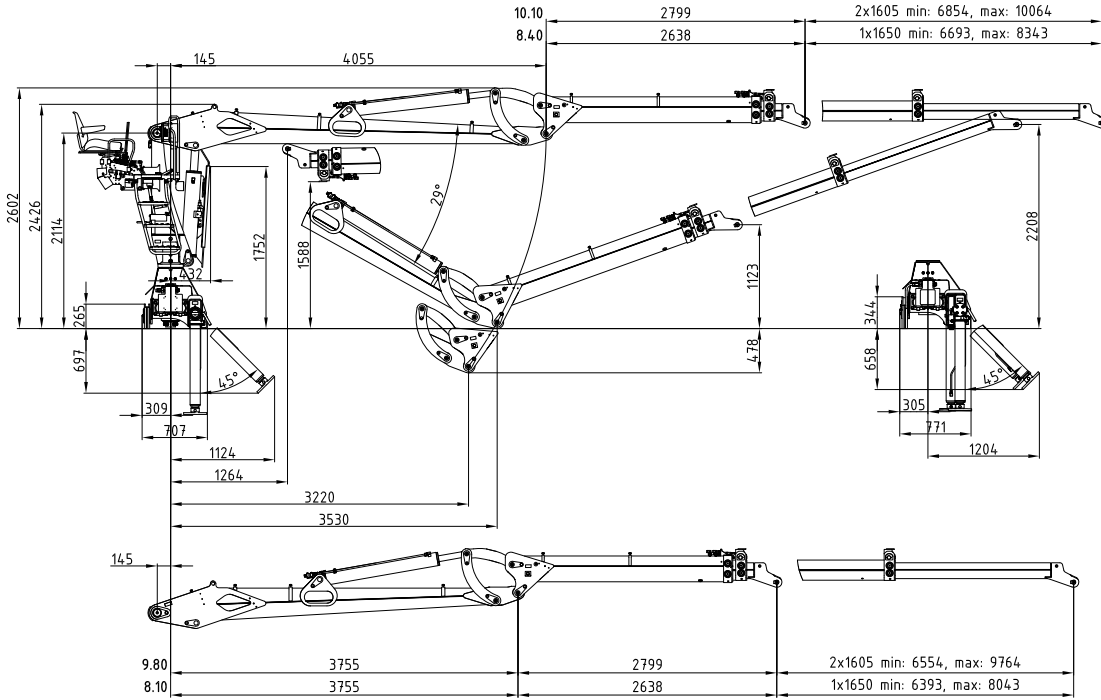
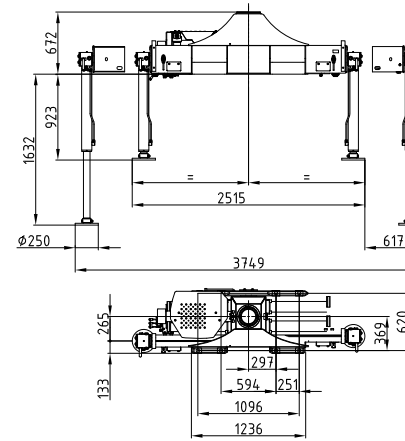


# 12L 13Lp+

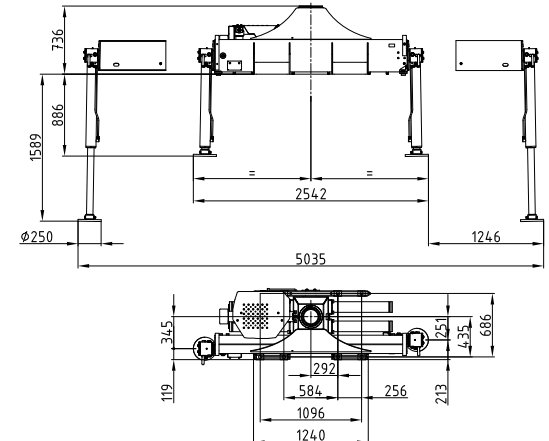
109 - 126 kNm	8 - 10 m	3,4 - 3,9 m	3,8 - 5 m	2.135 - 2.420 kg	425°	25 kNm	230 - 255 bar	1x Minimum 100 l/min ~ 45 kW	2x Minimum 65 l/min ~ 58 kW	LS Minimum 150 l/min ~ 67 kW



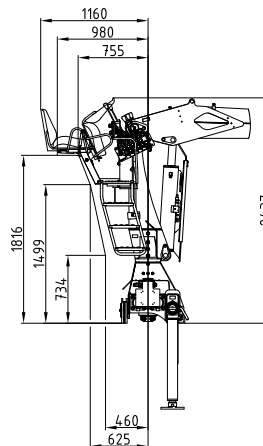
Kransockel schmal  
Crane base small



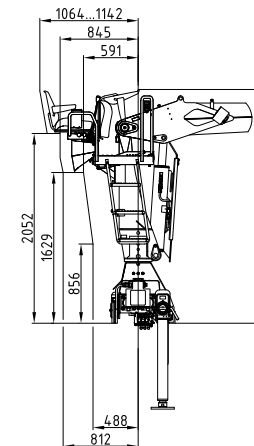
Kransockel breit  
Crane base wide



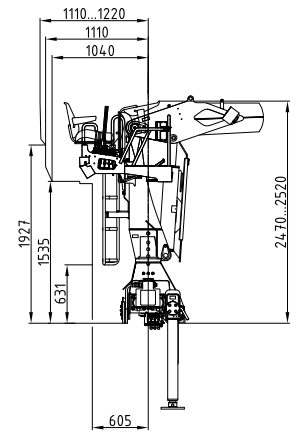
Rücksitz 01  
Back seat 01



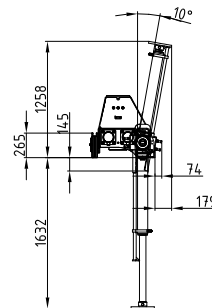
Rücksitz 04  
Back seat 04



Seitensitz 04  
Side seat 04



170° Hochklappung  
170° of lifting up



12L10.10	2705	2220	1845	1565	1355	1195			[kg]
13Lp+10.10	2995	2455	2040	1730	1495	1315			[kg]
12L9.80	2715	2230	1850	1575	1365	1200			[kg]
13Lp+9.80	3005	2465	2045	1740	1505	1320			[kg]
12L8.40	2785	2300	1920	1630	1420				[kg]
13Lp+8.40	3080	2540	2120	1800	1565				[kg]
12L8.10	2800	2320	1935	1655	1430				[kg]
13Lp+8.10	3100	2565	2135	1825	1575				[kg]
	4m	5m	6m	7m	8m	9m			