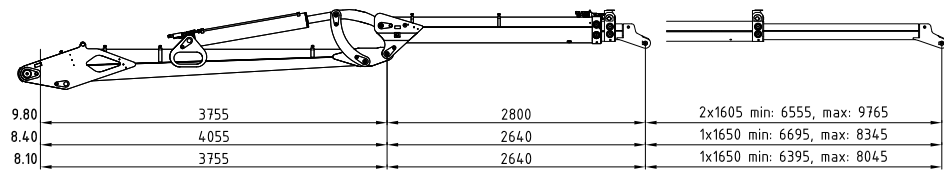
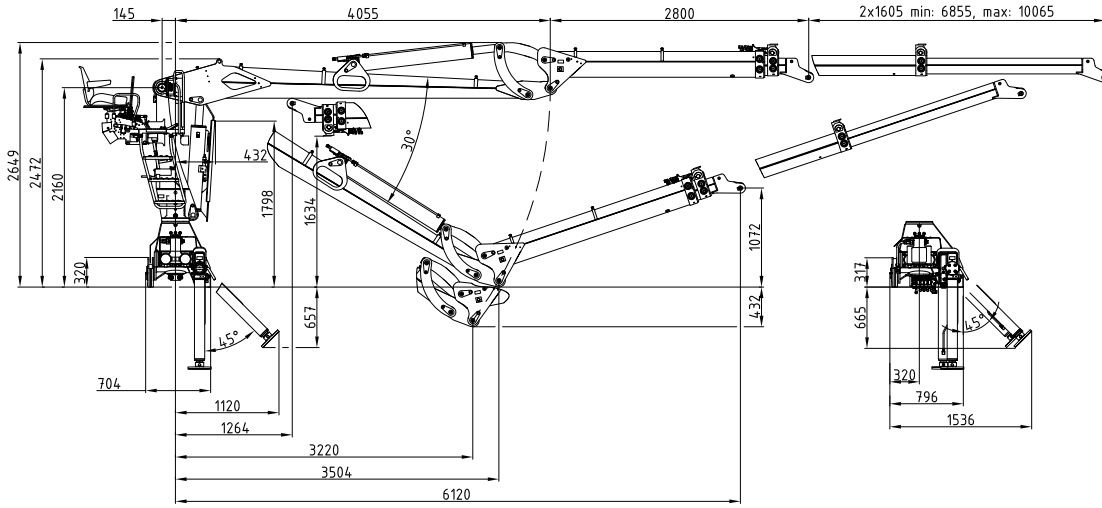
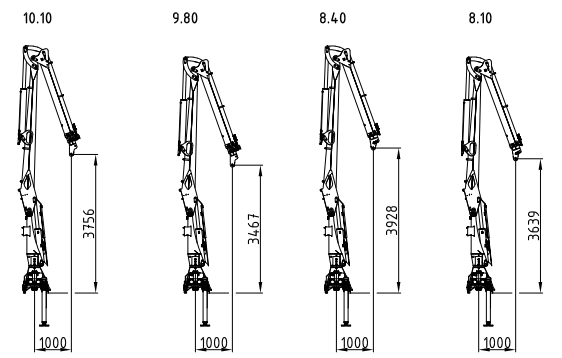


# 15 L 16 Lp+

132 - 151 kNm	8 - 10,1 m	3,5 - 3,9 m	3,8 - 5 m	2.205 - 2.490 kg	415°	25 kNm	260 - 300 bar	1x Minimum 80 l/min ~ 40 kW	2x Minimum 65 l/min ~ 66 kW	LS Minimum 150 l/min ~ 76 kW

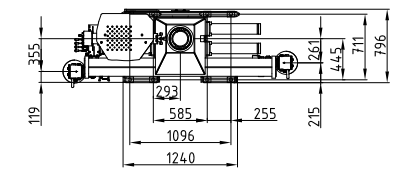
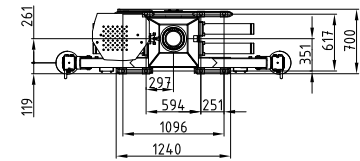
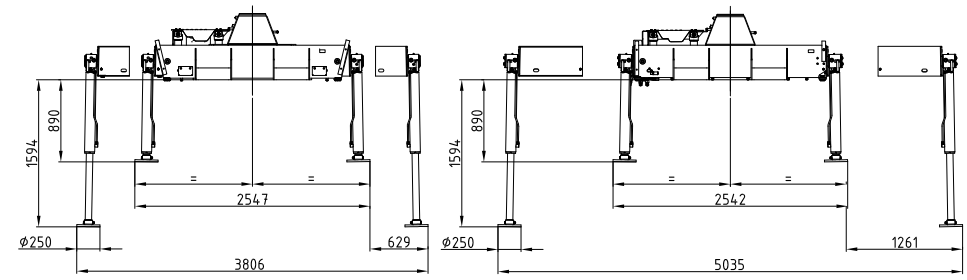


15L10.10	3250	2675	2225	1900	1640	1435	(kg)	
16Lp+10.10	3600	2960	2460	2100	1810	1585	(kg)	
15L9.80	3260	2685	2230	1910	1650	1440	(kg)	
16Lp+9.80	3610	2970	2465	2110	1820	1590	(kg)	
15L8.40	3330	2755	2300	1965	1705		(kg)	
16Lp+8.40	3690	3050	2545	2170	1885		(kg)	
15L8.10	3345	2775	2315	1980			(kg)	
16Lp+8.10	3710	3070	2560	2190			(kg)	
	4m	5m	6m	7m	8m	9m		



Socket schmal  
Crane base small

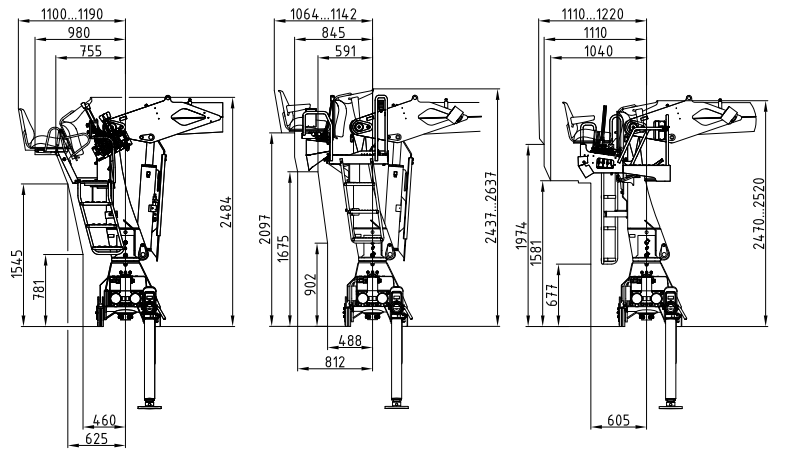
Socket breit  
Crane base wide



Rücksitz 01  
Back seat 01

Rücksitz 04  
Back seat 04

Seitensitz 04  
Side seat 04



170° Hochklappung  
170° of lifting up

